



Relief valve

# B6061 Series

If the pressure increases, the compressed air is released to the atmosphere to maintain the set pressure.

● Port size: Rc1/8 to Rc1/4

JIS symbol



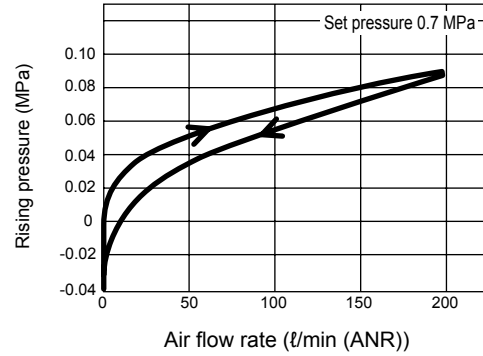
## Specifications

1 MPa = 10 bar

Item	B6061-1C/2C	
Working fluid	Compressed air	
Max. working pressure	MPa	0.7 (≈100 psi, 7 bar)
Proof pressure	MPa	1.5 (≈220 psi, 15 bar)
Ambient / fluid temperatures	°C	5 (41°F) to 65 (149°F)
Set pressure	MPa	0.04 (≈5.8 psi) to 0.69 (≈100 psi)
Relief flow	ℓ/min ANR	150 (at rising pressure 0.078 MPa (≈11 psi))
Port size	Rc	1/8 / 1/4
Weight	kg	0.29

## Flow characteristics

● B6061



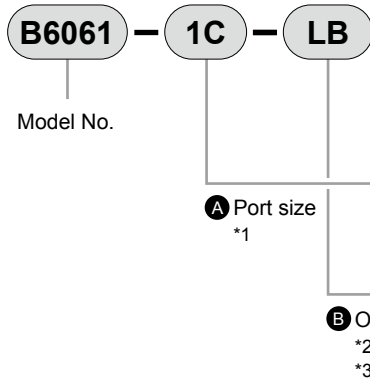
## Option weight

\* Add to the weight of the standard accessories.

Unit: kg

Code	Panel mount	Pressure gauge	Bracket
	P	G	B
B6061	0	0.086	0.035

## How to order



[Example of model No.]

### B6061-1C-LB

Model: Relief valve, miniature

Ⓐ Port size: Rc 1/8

Ⓑ Option...Low pressure, bracket included

Code	Description	
<b>Ⓐ Port size</b>		
1C	Rc1/8	
2C	Rc1/4	
<b>Ⓑ Option</b>		
Relief valve	Blank	Standard
	L	Low pressure (0.04 to 0.34 MPa)
	P	Panel mount
Incl prod	Blank	Not included
	G	Pressure gauge (G49D-6-P10)
	B	Bracket

## ⚠ Precautions for model No. selection

\*1 : If port size NPT thread is required, do not indicate nominal size C. (Example) B6061-1

If a pressure gauge is selected, the NPT thread pressure gauge is enclosed.

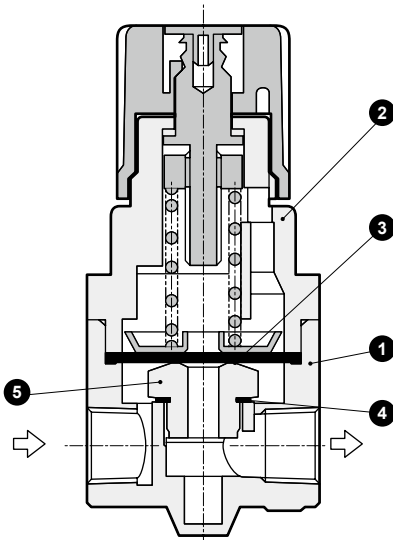
\*2 : Pressure gauge for "LG" is 0 to 0.4 MPa.

\*3 : The pressure gauge supplied for low pressure is G49D-6-P04. Refer to related products (page 363) for pressure gauge specifications.

\*4 : If option B (bracket) is selected, a 6506 bracket is enclosed, while if PB (bracket for panel mount) is selected, a 6166 bracket is enclosed. Refer to page 423 for the included product "B" bracket.

### Internal structure and parts list

● B6061



No.	Part name	Material
1	Body	Zinc die-casting
2	Cover	Zinc die-casting
3	Diaphragm assembly	Nitrile rubber/copper alloy/zinc die-casting
4	Gasket	Nitrile rubber
5	Valve seat	Copper alloy

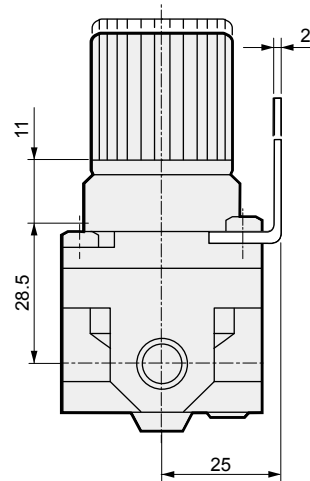
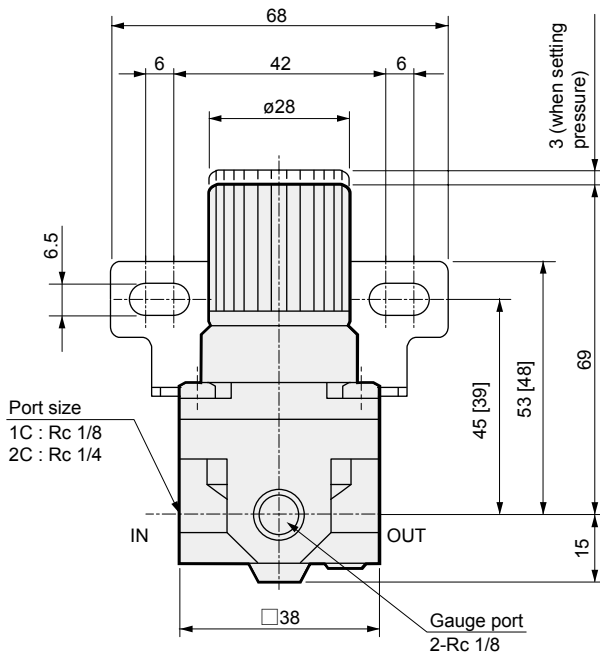
### Repair parts list

No.	Part name	Model No.
		<b>B6061</b>
3	Diaphragm assembly	B6061-DIAPHRAGM-KIT

### Dimensions



● B6061

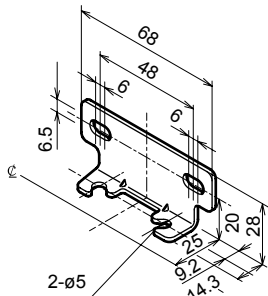


Dimensions shown in [ ] are for PB (bracket for panel mount)

● Wall bracket: 6506

·Material: Steel  
Zinc plated

Bracket thickness 2 mm

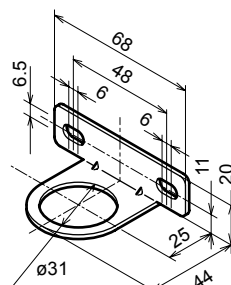


\* Tapping screw attached

● Wall bracket: 6166

·Material: Steel  
Zinc plated

Bracket thickness 2 mm



F.R.L.  
F.R.  
F (Filtr)  
R (Reg)  
L (Lub)  
Drain Separ  
Mech Press SW  
Res press exh valve  
SlowStart  
Anti-bac/Bac-remove Filtr  
Film Resist FR  
Oil-ProhR  
Med Press FR  
No Cu/ PTFE FRL  
Outdrs FRL  
Adapter Joiner  
Press Gauge  
CompFRL  
LgFRL  
PrecsR  
VacF/R  
Clean FR  
ElecPneuR  
AirBoost  
Speed Ctrl  
Silncr  
CheckV/ other  
Fit/Tube  
Nozzle  
Air Unit  
PresCompn  
Electro Press SW  
ContactSW  
AirSens  
PresSW Cool  
Air Flo Sens/Ctrl  
WaterRISens  
TotAirSys (Total Air)  
TotAirSys (Gamma)  
Gas generator  
RefrDry  
DesicDry  
HiPolymDry  
MainFiltr  
Dischrg etc  
Ending